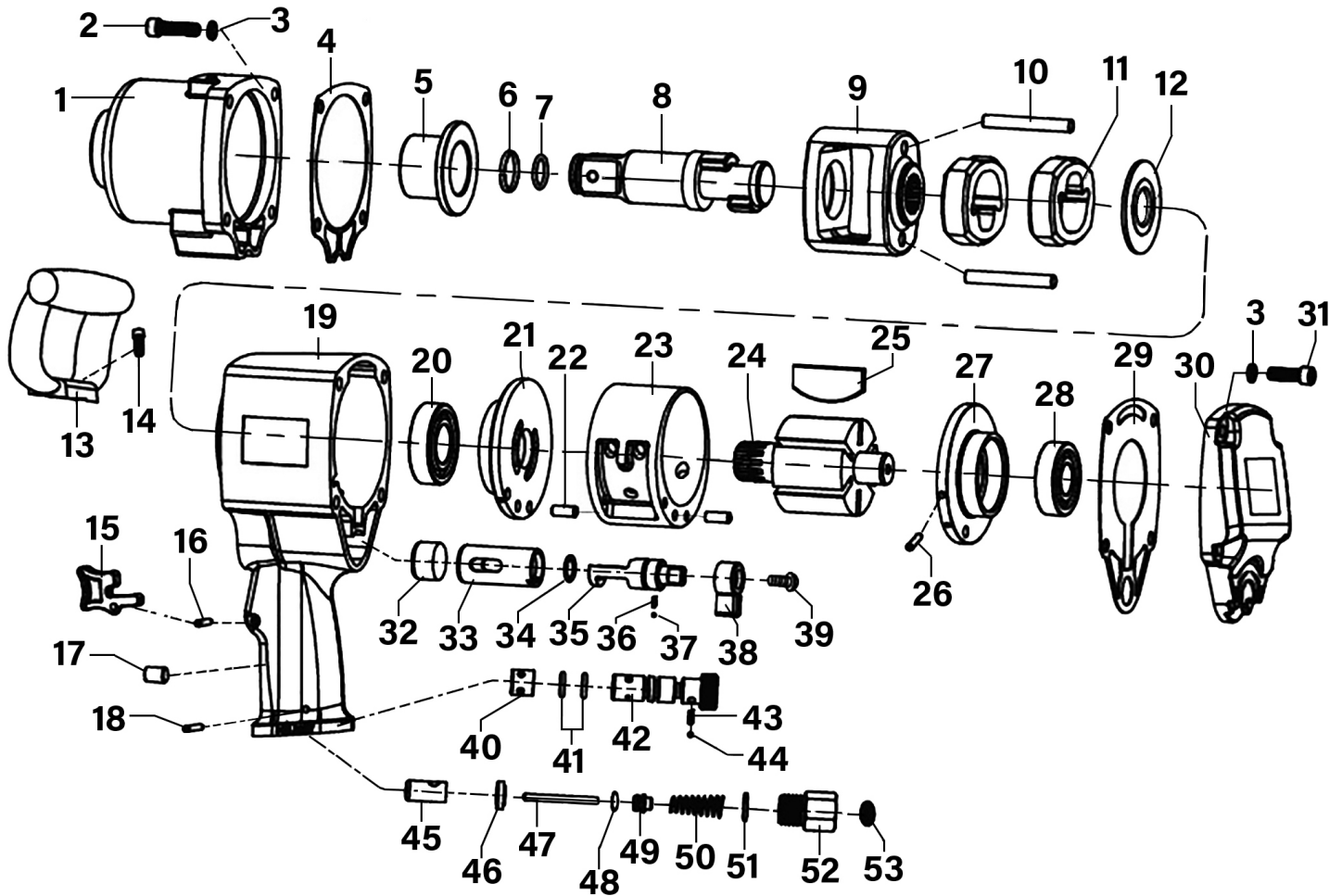




Parts Information:
**Air Impact Wrench 1" Sq Drive Pistol Type -
 Twin Hammer**
Model No: SA297.V2



| Item | Part No. | Description | Qty |
|------|-------------|--------------------|-----|
| 1 | SA297-V2-01 | Hammer Case | 1 |
| 2 | SA297-V2-02 | Screw | 4 |
| 3 | SA297-V2-03 | Spring Washer | 8 |
| 4 | SA297-V2-04 | Hammer Case Gasket | 1 |
| 5 | SA297-V2-05 | Anvil Bushing | 1 |
| 6 | SA297-V2-06 | Anvil Ring | 1 |
| 7 | SA297-V2-07 | O-Ring | 1 |
| 8 | SA297-V2-08 | Anvil 1" | 1 |
| 9 | SA297-V2-09 | Hammer Frame | 1 |
| 10 | SA297-V2-10 | Hammer Pin | 2 |
| 11 | SA297-V2-11 | Hammer Cage | 2 |
| 12 | SA297-V2-12 | Hammer Cage Washer | 1 |
| 13 | SA297-V2-13 | Side Handle | 1 |
| 14 | SA297-V2-14 | Screw | 2 |
| 15 | SA297-V2-15 | Trigger | 1 |
| 16 | SA297-V2-16 | Trigger Pin | 1 |
| 17 | SA297-V2-17 | Aluminium Block | 1 |

| Item | Part No. | Description | Qty |
|------|-------------|---------------------------|-----|
| 18 | SA297-V2-18 | Spring Pin | 1 |
| 19 | SA297-V2-19 | Housing | 1 |
| 20 | SA297-V2-20 | Front Bearing | 1 |
| 21 | SA297-V2-21 | Front End Plate | 1 |
| 22 | SA297-V2-22 | Cylinder Pin | 2 |
| 23 | SA297-V2-23 | Cylinder | 1 |
| 24 | SA297-V2-24 | Rotor | 1 |
| 25 | SA297-V2-25 | Rotor Blade | 6 |
| 26 | SA297-V2-26 | Dowel Pin | 1 |
| 27 | SA297-V2-27 | Rear End Plate | 1 |
| 28 | SA297-V2-28 | Rear Bearing | 1 |
| 29 | SA297-V2-29 | Rear Cover Gasket | 1 |
| 30 | SA297-V2-30 | Rear Cover | 1 |
| 31 | SA297-V2-31 | Screw | 4 |
| 32 | SA297-V2-32 | Reverse Valve Busing Seal | 1 |
| 33 | SA297-V2-33 | Reverse Valve Bushing | 1 |
| 34 | SA297-V2-34 | O-Ring | 1 |

NOTE: It is our policy to continually improve products and as such we reserve the right to alter data, specifications and component parts without prior notice. There may be alternative versions of this product, please contact us should you require this information.

IMPORTANT: No liability is accepted for incorrect use of product. Spare parts must be fitted by a competent person

WARRANTY: Guarantee is 12 months from purchase date, proof of which will be required for any claim.

Sealey Group, Kempson Way, Suffolk Business Park, Bury St Edmunds, Suffolk. IP32 7AR



01284 757500



sales@sealey.co.uk



www.sealey.co.uk



Parts Information:
**Air Impact Wrench 1" Sq Drive Pistol Type -
Twin Hammer**
Model No: SA297.V2

| Item | Part No. | Description | Qty |
|------|-------------|---------------------|-----|
| 35 | SA297-V2-35 | Reverse Valve | 1 |
| 36 | SA297-V2-36 | Spring | 1 |
| 37 | SA297-V2-37 | Steel Ball | 1 |
| 38 | SA297-V2-38 | Reverse Valve Knob | 1 |
| 39 | SA297-V2-39 | Screw | 1 |
| 40 | SA297-V2-40 | Bushing | 1 |
| 41 | SA297-V2-41 | O-Ring | 1 |
| 42 | SA297-V2-42 | Reverse Valve Lever | 1 |
| 43 | SA297-V2-43 | Valve Spring | 1 |
| 44 | SA297-V2-44 | Steel Ball | 1 |

| Item | Part No. | Description | Qty |
|------|-------------|---------------------|-----|
| 45 | SA297-V2-45 | Air Inlet Bushing | 1 |
| 46 | SA297-V2-46 | Throttle Valve Seat | 1 |
| 47 | SA297-V2-47 | Air Inlet Pin | 1 |
| 48 | SA297-V2-48 | O-Ring | 1 |
| 49 | SA297-V2-49 | Air Inlet Valve | 1 |
| 50 | SA297-V2-50 | Air Inlet Spring | 1 |
| 51 | SA297-V2-51 | O-Ring | 1 |
| 52 | SA297-V2-52 | Air Inlet | 1 |
| 53 | SA297-V2-53 | Air Inlet Filter | 1 |

NOTE: It is our policy to continually improve products and as such we reserve the right to alter data, specifications and component parts without prior notice. There may be alternative versions of this product, please contact us should you require this information.

IMPORTANT: No liability is accepted for incorrect use of product. Spare parts must be fitted by a competent person

WARRANTY: Guarantee is 12 months from purchase date, proof of which will be required for any claim.

Sealey Group, Kempson Way, Suffolk Business Park, Bury St Edmunds, Suffolk. IP32 7AR



01284 757500



sales@sealey.co.uk



www.sealey.co.uk